

O-series

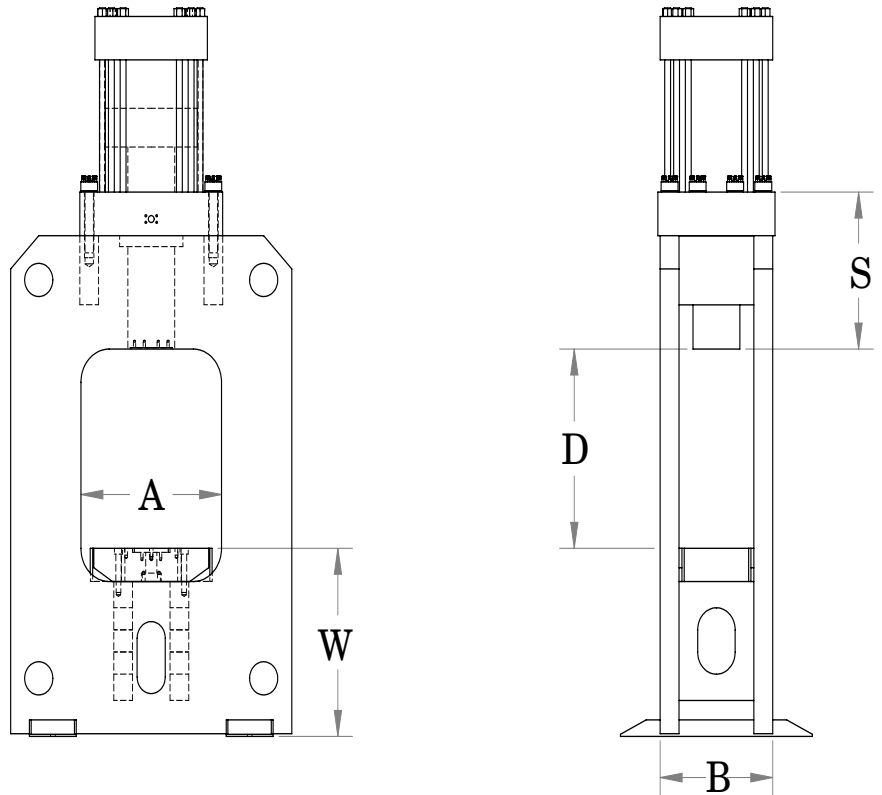
Slab style hydraulic presses



Standard Features

- Dual palm button anti-tie-down controls
- Main power disconnect
- NFPA-79 compliant electrical controls
- Industry standard components
- NEMA enclosures and TEFC motor
- Emergency stop & return buttons
- Magnetic motor starter
- Pressure reversal
- Hydraulic decompression control
- In reservoir hydraulic pump for quiet operation
- Inch/Operate selector switch
- Heat exchanger

O-Series Slab Style Press



O-series presses are built to each customer's exacting specifications. Reference Table 1 (below) for specifications necessary to fit your application

Table 1

Tonnage	
Dimensional Information	
(A) Left to Right (Window opening)	
(B) Front to Back (Window opening)	
(D) Daylight	
(S) Stroke	
(W) Work Height	

Neff Press designs and manufactures presses from 2-10,000+ tons with various dimensions. Please use the table above to fill out your press specifications.

Making **the presses** that make **the products** that make the **World work**



6510 Page Ave.
 St. Louis, MO 63133
 Phone: (800) 325-8612
 Fax: (314) 725-2230
 Website: www.neffpress.com

Options

Neff Press offers an extensive array of optional equipment in order to customize your press to ensure it meets your application specifications. Common options include:

- Knock-out cylinders
- Press guarding systems
- Lube systems
- Slide safety clamp
- Water glycol compatible
- Pre-fill hydraulic circuits
- Cooled Platens
- Heat Exchangers
- One/Two-hand trip
- Die cushions
- RCS packages (ram control)
- Force/Distance monitoring
- Automatic press cycle
- Safety die block
- VFD Package
- Speed control
- High speed power units
- Cushion knock-outs
- Foot control
- Explosion-proof controls
- Heated platens
- Shuttle systems
- Air to oil coolers
- Frame modifications
- Bolster machining
- CNC controls
- Dwell timers
- Feed Integration
- Index units