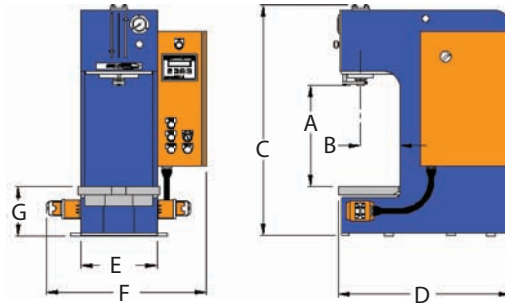


D-series

bench model hydraulic presses



D-Series
with Optional Bench
28 7/8" H x 33" W x 30" D



Notes:
Contact Factory for specific CPM information.
High-speed power unit upgrades available for increased cycle rates.

Standard Features

- Dual palm button anti-tie-down controls
- NFPA-79 compliant electrical controls
- Industry standard components
- NEMA enclosures and TEFC motor
- Emergency stop button & emergency return
- Magnetic motor starter
- Main power disconnect
- Pressure reversal
- Hydraulic decompression control
- In reservoir hydraulic pump for quiet operation
- Inch/Operate selector switch

CYCLES/MINUTE (CPM)

TOTAL STROKE	1"	2"	4"	6"
D2-5M	100	73	47	35
D4-5M	86	63	41	31
D7-5M	69	48	29	21
D12-5M	48	31	19	13
D15-5M	36	22	13	9
D15-5HS	N/A	42	30	23
D25-5HS	N/A	30	21	16
D40-5HS	30	22	15	11

Neff Press designs and manufactures presses from 2-10,000+ tons with various dimensions.

Model	D2-5M	D4-5M	D7-5M	D12-5M	D15-5M	D15-5HS	D25-5HS	D40-5HS
Tonnage	.15-2.7	.3-4.7	.4-7.4	.7-12.4	.9-18.8	.9-18.8	1.5-29.5	2.0-42.4
Piston Diameter	1.5"	2.0"	2.5"	3.25"	4.0"	4.0"	5.0"	6.0"
Rod Diameter	1.0"	1.375"	1.75"	2.0"	2.5"	2.5"	3.5"	4.0"
Ram Speeds (IPM)	425/425/765	500/240/455	312/153/300	235/90/145	153/60/98	510/60/322	260/38/250	199/27/157
Pump Flow (gpm)	3.25	3.25	3.25	3.25	3.25	11	11	11
Operation PSI	150-3000	150-3000	150-3000	150-3000	150-3000	150-3000	150-3000	150-3000
Stroke (adjustable)	0.5"-0.7"	0.5"-7.0"	0.5"-7.0"	0.5"-7.0"	0.5"-7.0"	0.5"-7.0"	0.5"-7.0"	0.5"-7.0"
Motor HP/RPM	5/1800	5/1800	5/1800	5/1800	5/1800	5/1800	5/1800	5/1800
Reservoir Capacity	12 gallons	12 gallons	12 gallons	12 gallons	12 gallons	12 gallons	12 gallons	12 gallons
Weight	1000 lbs.	1000 lbs.	1000 lbs.	1000 lbs.	1260 lbs.	1400 lbs.	3800 lbs.	3800 lbs.
Daylight (A)	18"	18"	18"	18"	18"	18"	18"	18"
Throat (B)	7"	7"	7"	7"	7"	7"	7"	7"
Height (C)	43"	43"	43"	43"	44"	44"	53"	53"
Depth (D)	35"	35"	35"	36"	36"	36"	55.5"	55.5"
Frame Width (E)	13.5"	13.5"	13.5"	13.5"	14"	14"	22"	22"
Maximum Width (F)	30"	30"	30"	30"	31"	31"	36"	36"
Bolster (WxDxT)	14.5x11x1.5	14.5x11x1.5	14.5x11x1.5	14.5x11x1.5	15x12.25x1.5	15x12.25x1.5	23.5x17x2	23.5x17x2
Bolster to Base (G)	8.75"	8.75"	8.75"	8.75"	9.75"	9.75"	12.5"	12.5"

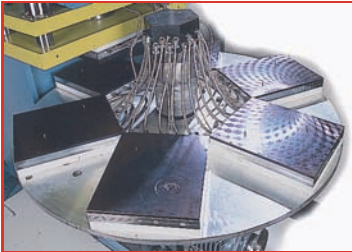
Making the presses
that make the products
that make the World work



6510 Page Ave.
St. Louis, MO 63133
Phone: (800) 325-8612
Fax: (314) 725-2230
Website: www.neffpress.com

Options

- Part Quality Assurance (PQA)
- High speed power unit
- Automatic press cycles
- Feed integration packages
- Ram position control systems
- Force/distance monitoring



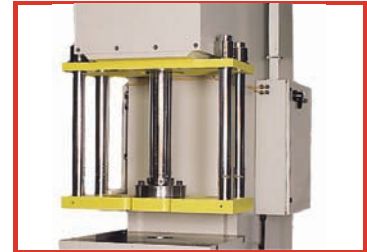
◦ Indexing tables

- Clean Room compliant presses
- CNC controls
- Press benches
- Foot switches
- PLC controls
- Dwell timers



◦ HMI

- Explosion proof presses
- Digital pressure readout peak hold
- Heat exchangers
- Speed controls
- Frame modification
- Press guarding systems

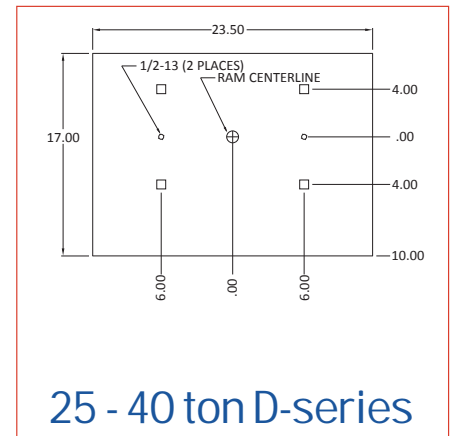
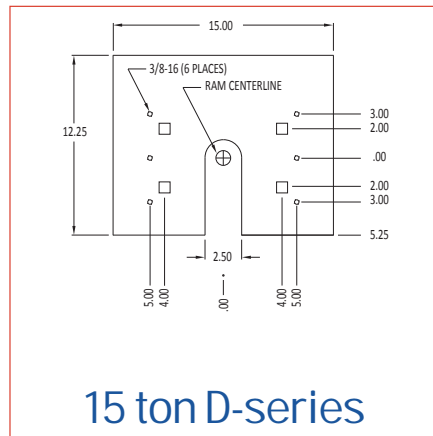
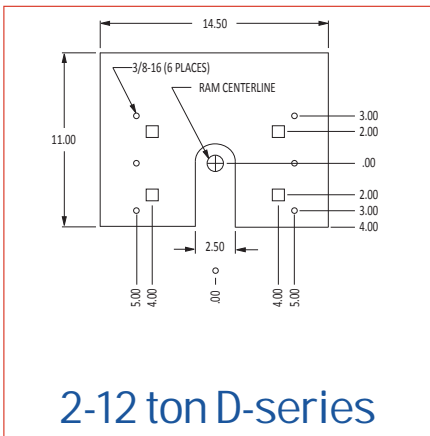


◦ Guided tool mounting plates

Removable Bolsters

for D-Series bench model hydraulic presses

Note: All dimensions shown are in inches. □ = Neff's Mounting holes

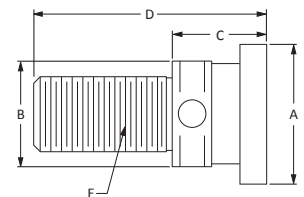


Quick Die Change System

Note: All dimensions shown are in inches.

CYLINDER CAPACITY	DIE CONNECTOR STUD					DIE CONNECTOR RING					
	A	B	C	D	E	F	G	H	I	J	K
2 Ton	1.85	1.25	1.44	2.44	3/4-16	4.65	1.969	1.375	17/32	3.625	0.75
3 & 4 Ton	1.85	1.31	1.44	2.88	1-14	4.65	1.969	1.375	17/32	3.625	0.75
7 Ton	1.85	1.69	1.44	3.25	1 1/4-12	4.65	1.969	1.375	17/32	3.625	0.75
12 Ton	1.85	1.94	1.44	3.25	1 1/2-12	4.65	1.969	1.375	17/32	3.625	0.75
15 Ton	2.85	2.38	2.00	4.50	1 7/8-12	5.75	2.970	2.370	17/32	4.625	0.75
25 Ton	2.85	3.38	2.00	5.13	2 1/2-12	5.75	2.970	2.370	17/32	4.625	0.75
40 Ton	2.85	3.63	2.00	5.25	3-12	5.75	2.970	2.370	17/32	4.625	0.75

Stud



Ring

